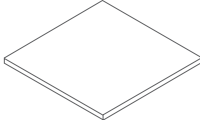
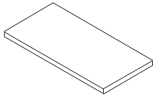
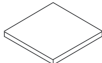
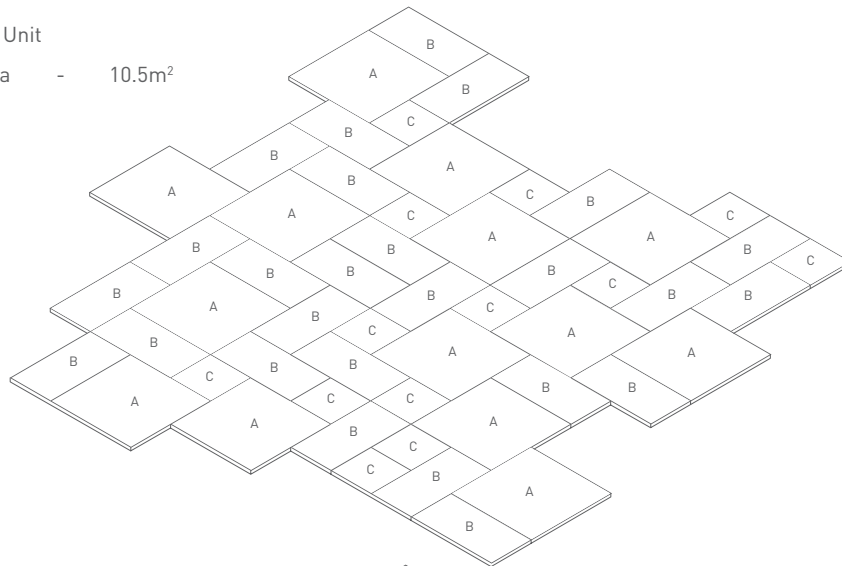


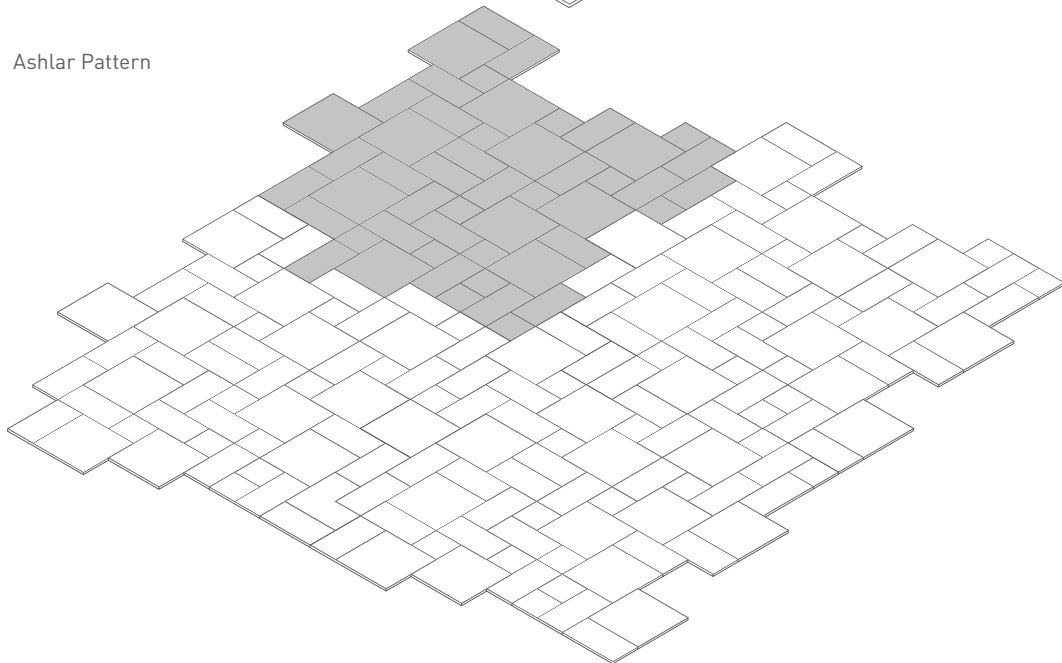
# Ashlar Modules 600 Series

Ratio	Sizes	
1		A - 600 x 600mm
2		B - 600 x 300mm
1		C - 300 x 300mm

Ashlar Unit  
m<sup>2</sup> Area - 10.5m<sup>2</sup>



Ashlar Pattern



All paving sizes can be used separately or in varying combinations.

All paving sizes have been designed to align when using a 6-7mm grout joint.

Actual paving sizes can be found in the Specifications Tab under Paving Sizes Specifications

**STONE** <sup>®</sup>  
Made in Concrete